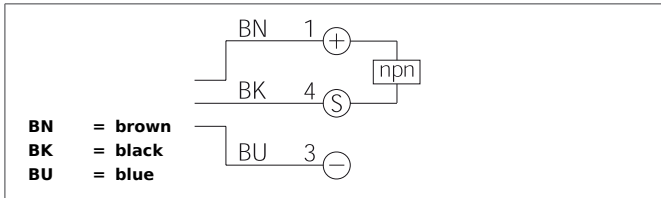


OGL 121 N3K-TSSL

Angled Light Barrier

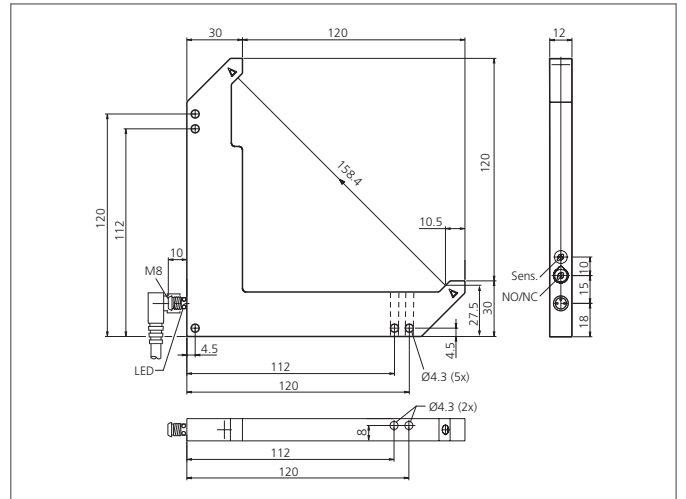
- Metal casing
- All-purpose mounting
- Optical axis approachable in x-, y- and z-direction
- Integrated electronic module
- Sensitivity adjustable
- High operating frequency
- Light/dark switching
- Bright ring LED
- 5-year warranty



Safety instructions

The Instruments are not to be used for safety applications, in particular applications in which safety of persons depends on proper operation of the instruments.

These instruments shall exclusively be used by qualified personnel.



TECHNICAL INFORMATION (typ.)		+20°C, 24V DC
Operating principle		Optical
Evaluation		digital
Size		150 x 150 x 12 mm (Dimensions)
Design		Angle
Branch length		120/120 mm
Emitted light		Red, 660 nm, clocked
Service voltage		10 ... 35 V DC (Supply Class 2)
Internal power consumption		< 40 mA
Operating distance		158 mm (optical axis)
Resolution		Ø 1,0 mm
Sensitivity adjustment		potentiometer
Switching output		npn, 200 mA, NO/NC, switchable
Switching hysteresis		< 0,25 mm
Voltage drop		< 2,8 V
Switching frequency		2.000 Hz
Reproducibility		0,06 mm
Ambient temperature		-10 ... +60 °C
Ambient light immunity		80 kLx
Insulation voltage endurance		500 V
Protection class		IP 67
Protection degree		III, operation on protective low voltage
Casing material		Die-cast zinc black lacquered finish
Connection		Connector, M8, 3-poled

OGL 121 N3K-TSSL
Angled Light Barrier



TECHNICAL INFORMATION (typ.)

+20°C, 24V DC

Connecting cable

TK ...